



Engine	Perkins 1104D-44T
Gross Power	70 kW (94 hp / 95 ps) @ 2,300 rpm
Net Power	67 kW (90 hp / 91 ps) @ 2,300 rpm
Breakout Force	32.2 kN
Rated Operating Capacity	1,133 kg
Bucket Capacity	0.55 m ³
Operating Weight	3,850 kg

395B

SKID STEER LOADER

395B SPECIFICATIONS >>>

ENGINE

Emission Regulation	EPA Tier 3 / EU Stage IIIA
Manufacturer	Perkins
Model	1104D-44T
Gross Power	70 kW (94 hp / 95 ps) @ 2,300 rpm
Net Power	67 kW (90 hp / 91 ps) @ 2,300 rpm
Peak Torque	392 N · m @ 1,400 rpm
Number of Cylinders	4
Displacement	4.4 L
Cooling Type	water

ELECTRICAL SYSTEM

System Voltage	12 V
Alternator Output	85 amps

CHAIN TANK

Drive Chain Size	100 HS
------------------	--------

TIRES

Ply Type	Vacuum
Tire Size	12-16.5-12PR TI200
Ply Rating	12

HYDRAULIC SYSTEM

System Type	Open
Standard Flow	87.4 L/min
Traveling Hydrostatic Pressure	35 MPa
Working Hydrostatic Pressure	21 MPa
Hydraulic Cycle Time, total	10.43 s
Raise Time	4.54 s
Dump Time	3.22 s
Lower Time (float down)	2.67 s

OPERATING WEIGHT

Operating Weight	3,850 kg
------------------	----------

PERFORMANCE

Static Tipping Load	2,267 kg
Rated Operating Capacity	1,133 kg
Boom Breakout Force	26.6 kN
Bucket Breakout Force	32.2 kN
Dump Clearance at Full Height Discharge	2,572 mm
Dump Reach at Full Height Discharge	587 mm
Maximum Dump Angle at Full Height	39°
Maximum Hinge Pin Height	3,278 mm
Bucket Rollback at Ground Level	30°
Ground Clearance	200 mm
Angle of Departure	27°
Front Clearance Radius with Bucket	2,354 mm

SERVICE CAPACITIES

Fuel Tank	110 L
Engine Oil	9 L
Cooling System	20 L
Hydraulic Reservoir	60 L
Hydraulic System Total	80 L
Chain Tanks, Each	13 L

STANDARD EQUIPMENT

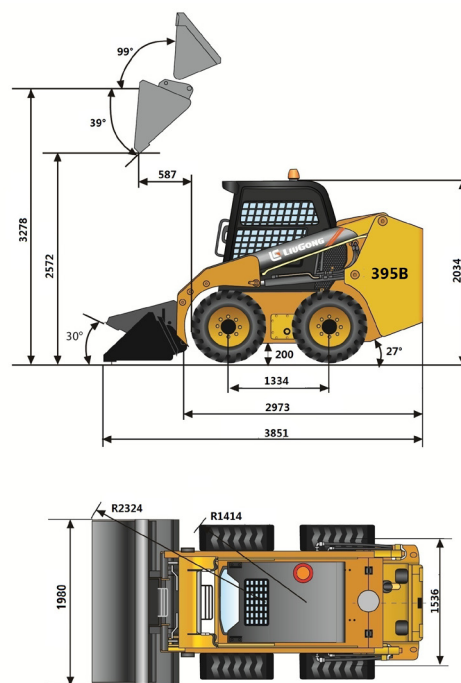
General Bucket – 0.55 m³
 Control Safety Interlock
 Boom Interlock
 Quick Coupler
 Open ROPS/FOPS Cab

OPTIONAL EQUIPMENT

Solid Tire
 Tire Chains
 Heater
 Optional Counterweight
 High Flow (146.6 L/min)
 Two Speed Motor
 Enclosed ROPS/FOPS Cab with AC

OPTIONAL ATTACHMENTS

- 4 in 1 Bucket – 0.5 m³
- Rock Bucket – 0.4 m³
- Lift Boom
- Hydraulic Hammer
- Fork
- Auger
- Cold Planer
- Snow Blade
- Pick-up Sweeper
- Hydraulic Shear



Guangxi Liugong Machinery Co., Ltd.

No. 1 Liutai Road, Liuzhou, Guangxi 545007, PR China
 T: +86 772 3886124 E: overseas@liugong.com
 www.liugong.com

Specifications and designs are subject to change without notice. Machines shown may include optional equipment. Liugong standard and optional equipment may vary from region to region. Please consult your Liugong dealer for information specific to your area. Engine power kW is converted to horsepower (1 kW=1.3596 ps and 1 kW=1.3410 hp) in this file.

09/2022 Designed by LiuGong
 Replace the previous versions of 01/2021