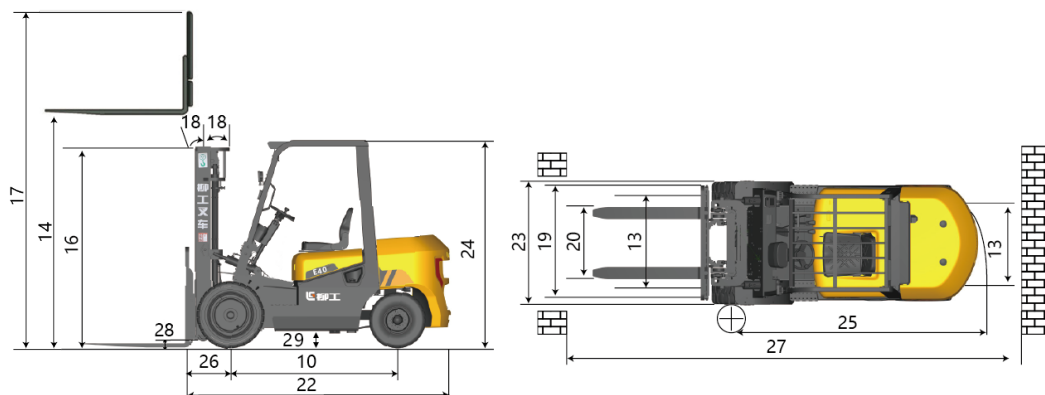


# SPECIFICATION

General	Model	1			CPCD40
	Power Type	2			Diesel
	Load Capacity	3		kg	4000
Weights	Load Center Distance	4	@ rated load center	mm	500
	Service Weight	5	unloaded	kg	5480
	Axle Load	6	loaded,front/rear	kg	8335/1145
7		unloaded,front/ rear	kg	2225/3255	
Tires	Tire Type	8			Pneumatic
	Wheels	9	front / rear		2/2
	Wheelbase	10		mm	1880
	Tire Size	11	front		250-15-18PR
		12	rear		7.00-12-12PR
13	Tread Width	13	front/rear	mm	1180/1112
Mast	Max. Fork Height	14	with std 2-stage mast	mm	3000
	Free Lift	15	with std 2-stage mast	mm	130
	Height, Upright Lowered	16	with std 2-stage mast	mm	2175
	Height, Upright Extended	17	with std 2-stage mast	mm	4180
	Mast Tilt, Fwd/Back	18	with std 2-stage mast	deg	6°/12°
	Fork Carriage	19	width	mm	1380
	Fork Spread	20	minimum/maximum	mm	330/1380
	Fork Dimension	21	T x W x L	mm	50x122x1070
	Length to Fork Face	22	with std 2-stage mast	mm	2950
	Overall Width	23		mm	1420
Chassis	Overhead Guard Height	24		mm	2175
	Turning Radius	25	minimum outside	mm	2680
	Fork Overhang	26	with std 2-stage mast	mm	510
	Min.Right Angle Stacking Aisle Width	27	add load length and clearance	mm	4460
	Ground Clearance	28	loaded below mast	mm	145
		29	center of wheelbase	mm	175
	Performance	Travel Speed	30	loaded/unloaded	km/h
Lift Speed		31	loaded/unloaded	mm/s	390/410
Lowering Speed		32	loaded/unloaded	mm/s	400/410
Max. Drawbar Pull		33	loaded	N	19600
Max. Gradeability		34	loaded/unloaded	%	20 / 18
Systems	Brakes	35	service		Foot/Hyd
		36	parking		Hand /Mech
Internal combustion	Engine	37	manufacturer		Xinchai
		38	model		A498BT1
		39	emission compliance		EU III
		40	cylinders		4
		41	displacement	L	3.17
		42	rated power	kW/rpm	36.8/2400
		43	max. torque	N.m/rpm	186/1800



**LIUGONG**

**E** SERIES



Engine	Xinchai
Fuel	Diesel
Rated load	4000 kg
Rated Power	36.8 kW

# **CPCD40**

***E SERIES INTERNAL COMBUSTION  
COUNTERBALANCED FORKLIFT***

**TOUGH WORLD. TOUGH EQUIPMENT.**