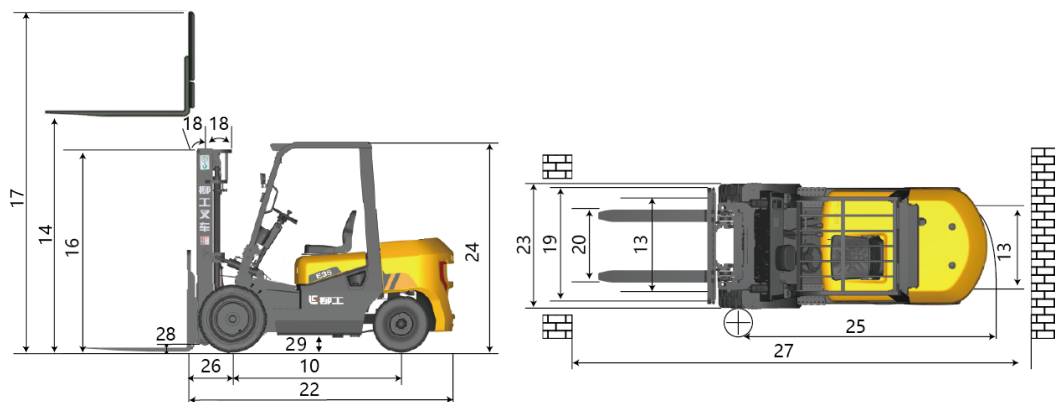


PRODUCT SPECIFICATIONS

General	Model	1			CPCD35
	Power Type	2			Diesel
	Load Capacity	3		kg	3500
Weights	Load Center Distance	4	@ rated load center	mm	500
	Service Weight	5	unloaded	kg	4630
	Axle Load	6	loaded, front/rear	kg	7310/820
Tires		7	unloaded, front/ rear	kg	1765/2865
	Tire Type	8			Pneumatic
	Wheels	9	front / rear		2/2
	Wheelbase	10		mm	1760
	Tire Size	11	front		28 x 9 - 15 - 14PR
Mast		12	rear		6.50 - 10 - 10PR
	Tread Width	13	front/rear	mm	1000 / 980
	Max. Fork Height	14	with std 2-stage mast	mm	3000
	Free Lift	15	with std 2-stage mast	mm	145
	Height, Upright Lowered	16	with std 2-stage mast	mm	2110
	Height, Upright Extended	17	with std 2-stage mast	mm	4146
	Mast Tilt, Fwd/Back	18	with std 2-stage mast	°	6 / 12
	Fork Carriage	19	width	mm	1100
	Fork Spread	20	minimum/maximum	mm	272 / 1072
	Fork Dimension	21	T x W x L	mm	50 x 122 x 1070
Chassis	Length to Fork Face	22	with std 2-stage mast	mm	2800
	Overall Width	23		mm	1225
	Overhead Guard Height	24		mm	2150
	Turning Radius	25	minimum outside	mm	2435
	Fork Overhang	26	with std 2-stage mast	mm	480
	Min.Right Angle Stacking Aisle Width	27	add load length and clearance	mm	4176
	Ground Clearance	28	loaded below mast	mm	135
Performance		29	center of wheelbase	mm	140
	Travel Speed	30	loaded/unloaded	km/h	18.5 / 19
	Lift Speed	31	loaded/unloaded	mm/s	455/475
	Lowering Speed	32	loaded/unloaded	mm/s	435/480
	Max. Drawbar Pull	33	loaded	N	19600
Systems	Max. Gradeability	34	loaded/unloaded	%	20 / 20
	Brakes	35	service		Foot/Hyd
36		parking		Hand /Mech	
Internal combustion	Engine	37	manufacturer		Xinchai
		38	model		A498BPG-558
		39	emission compliance		CHN Stage II
	40	cylinders		4	
	41	displacement	L		3.17
	42	rated power	kW/rpm		45/2500
	43	max. torque	N.m/rpm		193/1800



LIUGONG

E SERIES



Engine	Xinchai
Fuel	Diesel
Rated load	3500kg
Rated Power	45 kW

CPCD35

***E SERIES INTERNAL COMBUSTION
COUNTERBALANCED FORKLIFT***

TOUGH WORLD. TOUGH EQUIPMENT.