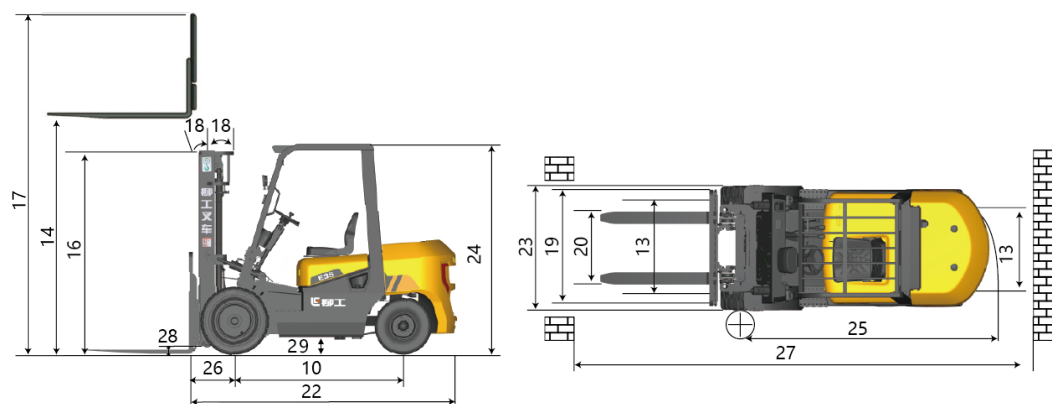


# PRODUCT SPECIFICATIONS

General	Model	1			CPCD35
	Power Type	2			Diesel
	Load Capacity	3		kg	3500
Weights	Load Center Distance	4	@ rated load center	mm	500
	Service Weight	5	unloaded	kg	4630
	Axle Load	6	loaded,front/rear	kg	7310/820
7		unloaded,front/ rear	kg	1765/2865	
Tires	Tire Type	8			Pneumatic
	Wheels	9	front / rear		2/2
	Wheelbase	10		mm	1760
		11	front		28 x 9 - 15 - 14PR
	12	rear		6.50 - 10 - 10PR	
Mast	Tread Width	13	front/rear	mm	1000 / 980
	Max. Fork Height	14	with std 2-stage mast	mm	3000
	Free Lift	15	with std 2-stage mast	mm	145
	Height, Upright Lowered	16	with std 2-stage mast	mm	2110
	Height, Upright Extended	17	with std 2-stage mast	mm	4146
	Mast Tilt, Fwd/Back	18	with std 2-stage mast	°	6 / 12
	Fork Carriage	19	width	mm	1100
	Fork Spread	20	minimum/maximum	mm	272 / 1072
	Fork Dimension	21	T x W x L	mm	50 x 122 x 1070
	Chassis	Length to Fork Face	22	with std 2-stage mast	mm
Overall Width		23		mm	1225
Overhead Guard Height		24		mm	2150
Turning Radius		25	minimum outside	mm	2435
Fork Overhang		26	with std 2-stage mast	mm	480
Min.Right Angle Stacking Aisle Width		27	add load length and clearance	mm	4176
Ground Clearance		28	loaded below mast	mm	135
		29	center of wheelbase	mm	140
Performance	Travel Speed	30	loaded/unloaded	km/h	18.5 / 19
	Lift Speed	31	loaded/unloaded	mm/s	470/490
	Lowering Speed	32	loaded/unloaded	mm/s	435/480
	Max. Drawbar Pull	33	loaded	N	23000
	Max. Gradeability	34	loaded/unloaded	%	20 / 20
Systems	Brakes	35	service		Foot/Hyd
		36	parking		Hand /Mech
Internal combustion	Engine	37	manufacturer		Xinchai
		38	model		3E22YG51
		39	emission compliance		EU V
	Engine	40	cylinders		3
		41	displacement	L	2.23
		42	rated power	kW/rpm	44.8/2400
		43	max. torque	N.m/rpm	210/1800



**LIUGONG**

**E** SERIES



Engine	Xinchai
Fuel	Diesel
Rated load	3500kg
Rated Power	44.8 kW

# **CPCD35**

***E SERIES INTERNAL COMBUSTION  
COUNTERBALANCED FORKLIFT***

**TOUGH WORLD. TOUGH EQUIPMENT.**