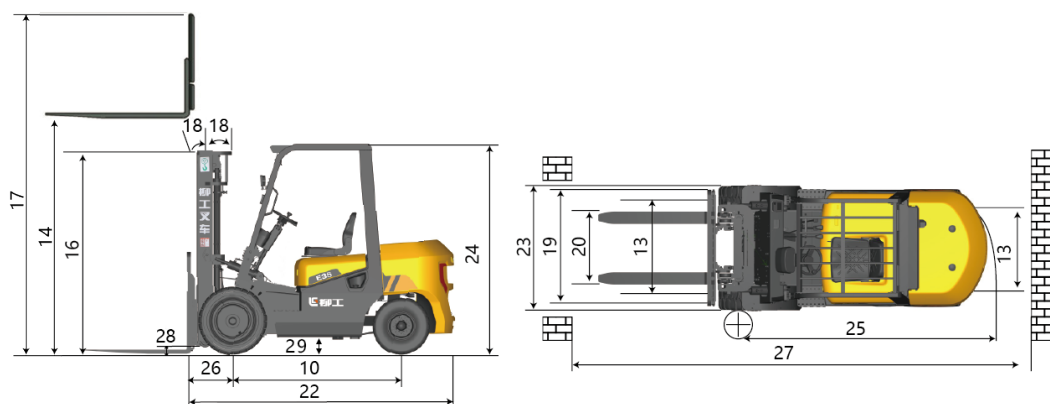


PRODUCT SPECIFICATIONS

General	Model	1			CPCD35	
	Power Type	2			Diesel	
	Load Capacity	3		kg	3500	
Weights	Load Center Distance	4	@ rated load center	mm	500	
	Service Weight	5	unloaded	kg	4630	
	Axle Load	6	loaded,front/rear	kg	7310/820	
Tires		7	unloaded,front/ rear	kg	1765/2865	
	Tire Type	8			Pneumatic	
	Wheels	9	front / rear		2/2	
	Wheelbase	10		mm	1760	
	Tire Size	11	front		28 x 9 - 15 - 14PR	
Mast		12	rear		6.50 - 10 - 10PR	
	Tread Width	13	front/rear	mm	1000 / 980	
	Max. Fork Height	14	with std 2-stage mast	mm	3000	
	Free Lift	15	with std 2-stage mast	mm	145	
	Height, Upright Lowered	16	with std 2-stage mast	mm	2110	
	Height, Upright Extended	17	with std 2-stage mast	mm	4146	
	Mast Tilt, Fwd/Back	18	with std 2-stage mast	°	6 / 12	
	Fork Carriage	19	width	mm	1100	
	Fork Spread	20	minimum/maximum	mm	272 / 1072	
	Fork Dimension	21	T x W x L	mm	50 x 122 x 1070	
Chassis	Length to Fork Face	22	with std 2-stage mast	mm	2800	
	Overall Width	23		mm	1225	
	Overhead Guard Height	24		mm	2150	
	Turning Radius	25	minimum outside	mm	2435	
	Fork Overhang	26	with std 2-stage mast	mm	480	
	Min.Right Angle Stacking Aisle Width	27	add load length and clearance	mm	4176	
	Ground Clearance		28	loaded below mast	mm	135
			29	center of wheelbase	mm	140
Performance	Travel Speed	30	loaded/unloaded	km/h	18.5 / 19	
	Lift Speed	31	loaded/unloaded	mm/s	480/500	
	Lowering Speed	32	loaded/unloaded	mm/s	435/480	
	Max. Drawbar Pull	33	loaded	N	19613	
	Max. Gradeability	34	loaded/unloaded	%	20 / 20	
Systems	Brakes	35	service		Foot/Hyd	
		36	parking		Hand /Mech	
Internal combustion	Engine	37	manufacturer		Yanmar	
		38	model		4TNE98	
		39	emission compliance		EU III	
		40	cylinders		4	
		41	displacement	L		3.319
		42	rated power	kW/rpm		43/2450
		43	max. torque	N.m/rpm		187/1600



LIUGONG

E SERIES



Engine	Yanmar
Fuel	Diesel
Rated load	3500kg
Rated Power	43 kW

CPCD35

***E SERIES INTERNAL COMBUSTION
COUNTERBALANCED FORKLIFT***

TOUGH WORLD. TOUGH EQUIPMENT.