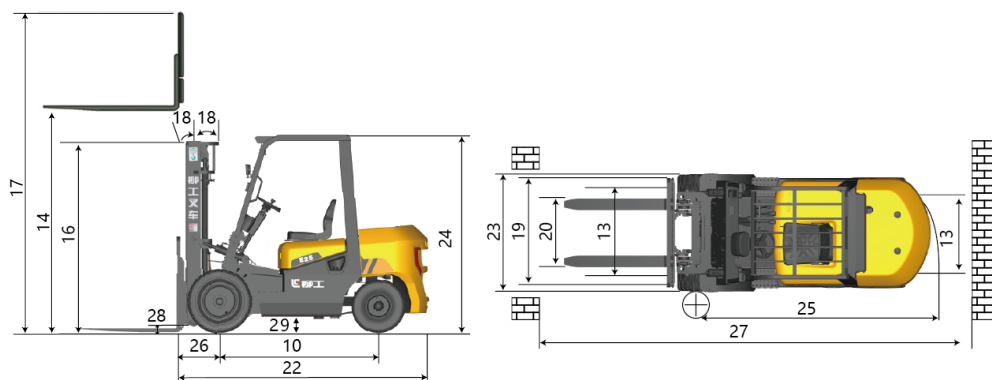


PRODUCT SPECIFICATIONS

General	Model	1			CPQYD25
	Power Type	2			LPG
	Load Capacity	3		kg	2500
Weights	Load Center Distance	4	@ rated load center	mm	500
	Service Weight	5	unloaded	kg	3370
	Axle Load	6	loaded,front/rear	kg	4390/670
Tires		7	unloaded,front/ rear	kg	1350/2020
	Tire Type	8			Pneumatic
	Wheels	9	front / rear		2 / 2
	Wheelbase	10		mm	1650
	Tire Size	11	front		7.00-12-12PR
Mast		12	rear		6.00-9-10PR
	Tread Width	13	front/rear	mm	960/970
	Max. Fork Height	14	with std 2-stage mast	mm	3000
	Free Lift	15	with std 2-stage mast	mm	140
	Height, Upright Lowered	16	with std 2-stage mast	mm	2070
	Height, Upright Extended	17	with std 2-stage mast	mm	4025
	Mast Tilt, Fwd/Back	18	with std 2-stage mast	deg	6° / 12°
	Fork Carriage	19	width	mm	1040
	Fork Spread	20	minimum/maximum	mm	272/1072
	Fork Dimension	21	T x W x L	mm	40 x 122 x 1070
	Chassis	Length to Fork Face	22	with std 2-stage mast	mm
Overall Width		23		mm	1150
Overhead Guard Height		24		mm	2100
Turning Radius		25	minimum outside	mm	2190
Fork Overhang		26	with std 2-stage mast	mm	476
Min.Right Angle Stacking Aisle Width		27	add load length and clearance	mm	3935
Ground Clearance		28	loaded below mast	mm	110
		29	center of wheelbase	mm	120
Performance	Travel Speed	30	loaded/unloaded	km/h	19/20
	Lift Speed	31	loaded/unloaded	mm/s	460/500
	Lowering Speed	32	loaded/unloaded	mm/s	550/400
	Max. Drawbar Pull	33	loaded	N	16475
	Max. Gradeability	34	loaded/unloaded	%	18/20
Systems	Brakes	35	service		Foot/Hyd
		36	parking		Hand /Mech
Internal combustion	Engine	37	manufacturer		Nissan
		38	model		k25
		39	emission compliance		N/A
		40	cylinders		4
		41	displacement	L	2.488
		42	rated power	kW/rpm	39.5/2300 (LPG) 37.4/2300 (GAS)
		43	max. torque	N.m/rpm	176.5/1600



LIUGONG

E SERIES



Engine	Nissan
Fuel	LPG
Rated load	2500kg
Rated Power	39.5 kW

CPQYD25

**E SERIES INTERNAL COMBUSTION
COUNTERBALANCED FORKLIFT**

TOUGH WORLD. TOUGH EQUIPMENT.