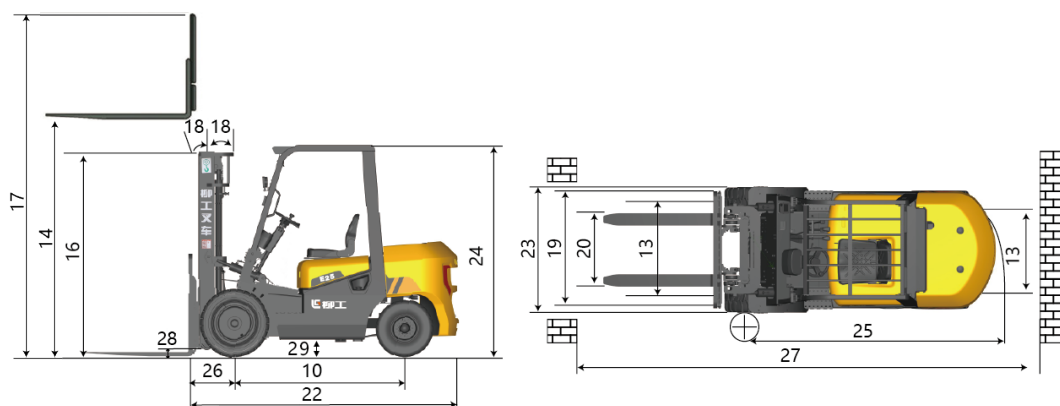


PRODUCT SPECIFICATIONS

General	Model	1			CPCD25
	Power Type	2			Diesel
	Load Capacity	3		kg	2500
Weights	Load Center Distance	4	@ rated load center	mm	500
	Service Weight	5	unloaded	kg	3570
	Axle Load	6	loaded,front/rear	kg	5300/760
Tires		7	unloaded,front/ rear	kg	1360/2210
	Tire Type	8			Pneumatic
	Wheels	9	front / rear		2 / 2
	Wheelbase	10		mm	1650
	Tire Size	11	front		7.00-12-12PR
Mast		12	rear		6.00-9-10PR
	Tread Width	13	front/rear	mm	960/970
	Max. Fork Height	14	with std 2-stage mast	mm	3000
	Free Lift	15	with std 2-stage mast	mm	140
	Height, Upright Lowered	16	with std 2-stage mast	mm	2070
	Height, Upright Extended	17	with std 2-stage mast	mm	4025
	Mast Tilt, Fwd/Back	18	with std 2-stage mast	°	6 / 12
	Fork Carriage	19	width	mm	1040
	Fork Spread	20	minimum/maximum	mm	272/1072
	Fork Dimension	21	T x W x L	mm	40 x 122 x 1070
Chassis	Length to Fork Face	22	with std 2-stage mast	mm	2630
	Overall Width	23		mm	1150
	Overhead Guard Height	24		mm	2100
	Turning Radius	25	minimum outside	mm	2230
	Fork Overhang	26	with std 2-stage mast	mm	476
	Min.Right Angle Stacking Aisle Width	27	add load length and clearance	mm	4015
	Ground Clearance	28	loaded below mast	mm	110
Performance		29	center of wheelbase	mm	120
	Travel Speed	30	loaded/unloaded	km/h	18 / 19
	Lift Speed	31	loaded/unloaded	mm/s	490/510
	Lowering Speed	32	loaded/unloaded	mm/s	460/480
	Max. Drawbar Pull	33	loaded	N	23000
Systems	Max. Gradeability	34	loaded/unloaded	%	20 / 20
	Brakes	35	service		Foot/Hyd
36		parking		Hand /Mech	
Internal combustion	Engine	37	manufacturer		Xinchai
		38	model		3E22YG51
		39	emission compliance		EU V
	40	cylinders		3	
	41	displacement	L		2.23
	42	rated power	kW/rpm		44.8/2400
	43	max. torque	N.m/rpm		210/1800



LIUGONG

E SERIES



Engine	Xinchai
Fuel	Diesel
Rated load	2500kg
Rated Power	44.8 kW

CPCD25

***E SERIES INTERNAL COMBUSTION
COUNTERBALANCED FORKLIFT***

TOUGH WORLD. TOUGH EQUIPMENT.